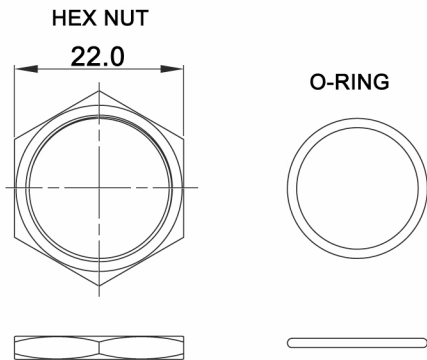


x	Bushing material	y	Wire length
AN	aluminum, natural	(empty)	300 mm
AB	aluminum, black anodized	-150	150 mm
D0	SUS 304		
D3	SUS 316		

RING ILLUMINATED

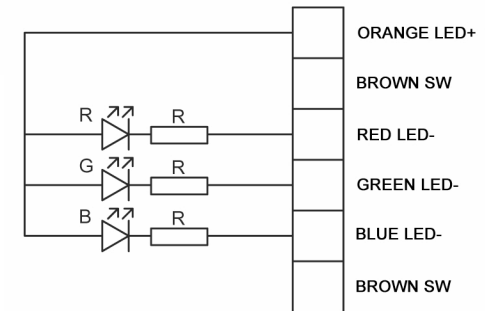
HARDWARE



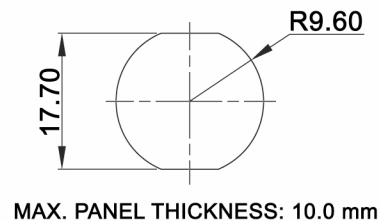
Specifications:

Contact rating: 1 A, 5-24 V AC/DC (pulse mode)
 Contact resistance: 1 Ohm max.
 Pulse duration: 200ms min.
 Operating temperature: -20°C to +65°C
 LED supply voltage: 12-24 V DC
 Mechanical life: 50 000 000 cycles min.
 IP class: IP68
 Material: Bushing: see table "x"
 Cap: PC, aluminum alloy
 Sealing: silicone, epoxy
 O-ring: silicone
 Hex nut: brass, nickel plated

APPLICATION DIAGRAM



PANEL CUT-OUT



Compliance: RohS III (2015/863/EU)

Tolerances: 0.00: ±0.25 mm 0.0: ±0.40 mm			Date	Name
			08/18	dr
Revised	09/21	dr	knitter-switch	
Pulse	02/19	dr		
Modifications	Date	Name		

PBP 19 xF-R-RGBy

30 41 28

Page

1/1